



Document created on 07-10-26

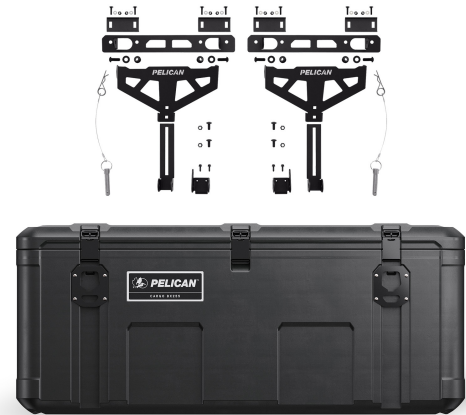
OTJB

Cargo

On The Job Bundle

Looking for a secure and convenient storage solution for your truck bed? Look no further than the Pelican On the Job Bundle. With our rugged cross-bed mounted BX135 or BX255 Cargo case and easy-to-install Cross-Bed Cargo mounts, you'll have the exterior storage space you need to keep your tools, gear, and equipment organized and accessible. Plus, no drilling is required for installation of our Cross-Bed Cargo mounts, so you can have everything set up and ready to go in no time. To find the best fit for your truck, you can use our Fitment Tool ([hyperlink URL: https://www.pelican.com/us/en/discover/cargo-cases/fit-your-vehicle/](https://www.pelican.com/us/en/discover/cargo-cases/fit-your-vehicle/)) to get the right Cargo case and mount solution for your pickup

- Bundle Includes:
 - BX255 Cargo Case
 - Crossbed Mount



DIMENSIONS

Interior (LxWxD)	42.80 x 16.25" x 17.20 (108.7 x 41.3 x 43.7 cm)
Exterior (LxWxD)	47.00 x 21.25" x 20.00 (119.4 x 54 x 50.8 cm)
Bottom Depth	16.60" (42.2 cm)
Int Volume	6.92 ft ³ (0.196 m ³)

MATERIALS

Body	Polyethylene
Latch	E-Coated Steel
O-Ring	EPDM

COLOURS

WEIGHT

Weight Empty	38.90 lbs (17.6 kg)
---------------------	---------------------

TEMPERATURE

Minimum Temperature	-20°F (-28.9 °C)
Maximum Temperature	140°F (60 °C)

ACCESSORIES